

# EKM-15E

## 120 Volt SINGLE-PHASE DIN-RAIL WATT-HOUR METER

### INSTRUCTIONS

- Installation, maintenance and repair should only be performed by a qualified electrician.
- Always work with power OFF when installing or servicing this device.
- Make connections according to the enclosed wiring diagram.
- Check to make sure the AC wires are installed correctly.
- Make sure the protective terminal covers are in place and sealed before connecting power to the device.
- Mount unit securely, preferably using standard 35mm DIN-rail.

### Electric characteristics

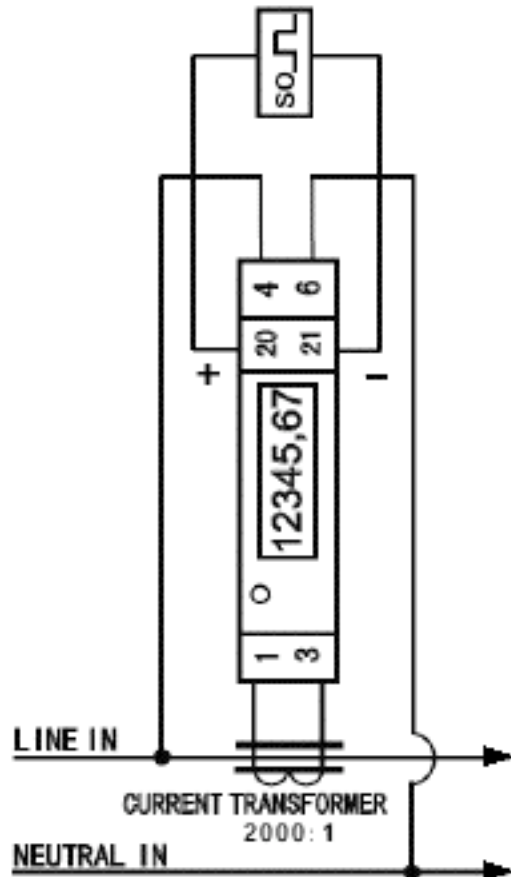
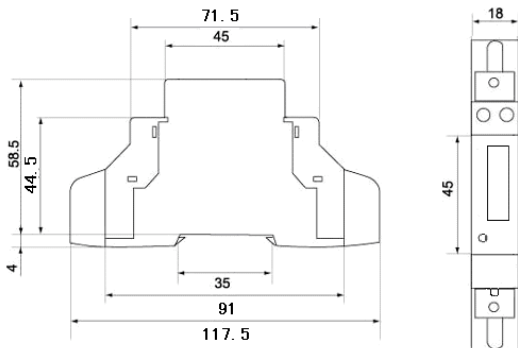
- Voltage: 115V +/-30%
- Current: 5(50)A. Use ONLY with correct current transformer attached.
- Accuracy class: 1.0
- Standard: IEC61036
- Frequency: 50/60Hz
- Impulse constant: 1000imp/kWh
- Display mode: LCD 5+2 = 99999.99kWh
- Power consumption:  $\leq 8VA$   $\leq 0.4W$
- Starting current: 0.004Ib
- Temperature range: -20~65°C。
- Flashing red: 1000impulse indication
- Relative air humidity maximum:
- Average value of year: 75%, short time value:95%

### Impulse connection:

- Voltage 12~27V, current  $\leq 27mA$ , max length of lead:20m
- Impulse width=90ms, connect to terminal 20&21
- Limits of values: max 60VDC, max 50mA

### Attention:

- Case is sealed, do not open the meter
- No warranty if case is opened



**EKM METERING**